

woodworkers pivot + slider hardware

light weight sliding hardware - 60kg

Brio

7009
sold in 2 and 3m lengths
BRIO SINGLE RUN 60 PACK
TOP HUNG SLIDING DOORS

- max height - 2400mm
- max width - 1500mm
- max weight - 60kg/door
- min door thickness - 24mm
- internal use only

suitable for a single door or for two doors on a bi-parting install doors may slide in one or both directions

single door kit comprises

- 2 hangers
- 2 door stops
- 1 guide
- spanner + screws

2m or 3m track lengths available

60 profile top track
31(w) x 30mm(h)

spanner

door stops

hanger

saw cut guide

NOT PART OF THE KIT

7026 soft close

7019 pelmet

7007 bracket

pivots + closers

7904S head reinforcing option for transom mounted hydraulic closer

7901S slimline parallel arm door closer

7905B narrow pivot arm option for 40mm doors

7908S non hydraulic pivot bottom assembly

7909 concealed spring action door closer 150mm

7903 pivot door hydraulic transom closer

7906 floor mounted pivot closer with cover plate and bottom arm

7907S non hydraulic pivot top assembly

also requires 7907S

also requires 7907S

DORMA

surface mount top hung sliding hardware - 120kg

7040
sold in 2 and 3m lengths
For internal use only
Panels can slide to one or both sides
BRIO QUICK RUN 120

- max height - 3000mm
- max panel width - 75% of height
- max weight - 120kg
- door thickness - min 28mm
- clearance: 25mm ± 5mm

single door kit comprises

- top track 120F
- 2 x hangers
- 2 x clip stops
- 1 x nylon saw cut guide

120 profile top track
41(w) x 30mm(h)

clip stop

hanger

saw cut guide

NOT PART OF THE KIT

7012 aluminium sleeve for poly track
25(w) x 23mm(h)

7013 poly track
21(w) x 20mm(h)

7022 bearing guide

7025 adjustable architrave guide

7005 single track 250kg bracket

7027 soft close

zero clearance top hung sliding hardware - 120kg

7041
sold in 2 and 3m lengths
For internal use only
Panels can slide to one or both sides
BRIO QUICK RUN 120

- max height - 3000mm
- max panel width - 75% of height
- max weight - 120kg
- door thickness - min 32mm
- clearance: 3-5mm without soft close
- clearance: 7-13mm soft close

single door kit comprises

- top track 120F
- 2 x hangers
- 2 x clip stops
- 1 x nylon saw cut guide

120 profile top track
41(w) x 30mm(h)

clip stop

hanger

saw cut guide

NOT PART OF THE KIT

7022 bearing guide

7025 adjustable architrave guide

7005 single track 250kg bracket

7027 soft close

top hung sliding hardware - 180kg

7008
sold in 2, 3, 4 and 6m lengths
BRIO SINGLE RUN 180 TOP HUNG HEAVY DUTY SLIDING DOORS

- max height - 3000mm
- max width - 2500mm
- max weight - 180kg
- door thickness - 35 - 48mm

for internal and external use for ease of operation, suitable for a single door or for two doors on a bi-parting install doors may slide in one or both directions

door kit comprises

- relevant length of top and bottom tracks
- 2 hangers
- 2 door stops
- 2 guides

180 profile top track
47(w) x 45mm(h)

top hanger

door stop

7011 aluminium sleeve for poly track
25(w) x 23mm(h)

7012 aluminium sleeve for poly track
25(w) x 23mm(h)

7013 poly track
21(w) x 20mm(h)

7002 913DBA heavy duty double bogey adjustable roller

7005 single track 250kg bracket

7006 double track 250kg bracket

7025 adjustable architrave guide

NOT PART OF THE KIT

bottom roller sliding hardware

max height - 2700mm
max width - 2400mm
max weight - 120kg
door thickness - min 40mm

7001 adjustable sliding bottom roller

7000 black top track guide

7003 sliding top glide
25 x 25 x 3mm

7004 sliding bottom track
20(w) x 6.5mm(h)

7950 wall cavity sliding unit

BRIO TIMBEROLL 200 HEAVY DUTY BOTTOM ROLLER SLIDING DOORS

- max height - 3000mm
- max width - 3000mm
- max weight - 200kg
- door thickness - 38 - 48mm

internal and external use, suitable for any number of doors to cover the opening on single or multiple tracks, doors may slide in one or both directions

NOTE : requires (2) two guides and (2) rollers per door. Top and bottom track comes in 6m lengths. Sold in 2,3,4 and 6m lengths only.

woodworkers barn door sliding hardware

premium range - 80kg

Suitable for single or double door operation. Single door kits sold in four kit sizes with 2m - 3.5m open rail track. Double door kits sold in four kit sizes with 3.5m - 5.8m open rail track. Available with both black and stainless steel hardware. Suitable for one or two doors to cover the opening on a single track. Doors may slide in one or both directions. For internal use only on doors 35 - 45mm thick



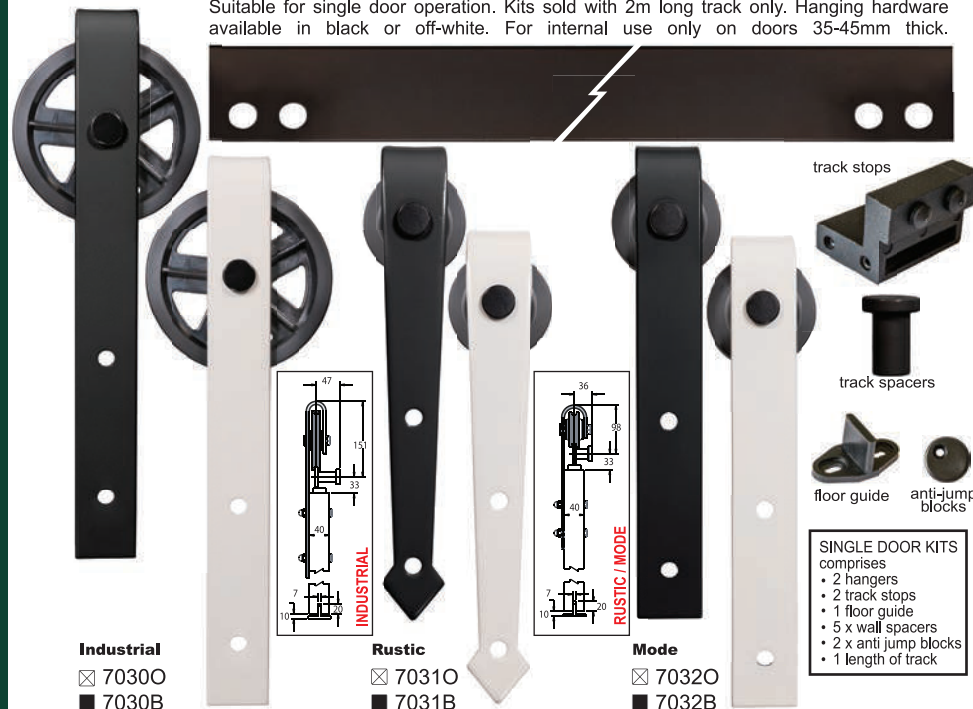
Illustration shows Woodworkers stock barn doors

- 7015S
- 7015B
- see pricelist for other options
- SINGLE DOOR KITS comprises
 - 2 hangers
 - 2 track stops
 - 1 floor guide
 - 1 mounting bracket per 450mm of track
 - 2 end caps
 - 2 floor stops
 - 1 length of track

- 7016S
- 7016B
- see pricelist for other options
- DOUBLE DOOR KITS comprises
 - 4 hangers
 - 4 track stops
 - 2 floor guides
 - 1 mounting bracket per 450mm of track
 - 2 end caps
 - 2 floor stops
 - 1 length of track

budget range - 40kg

Suitable for single door operation. Kits sold with 2m long track only. Hanging hardware available in black or off-white. For internal use only on doors 35-45mm thick.



- Industrial
- ☒ 7030O
- 7030B

- Rustic
- ☒ 7031O
- 7031B

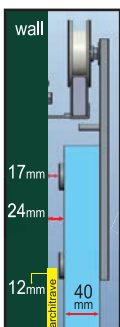
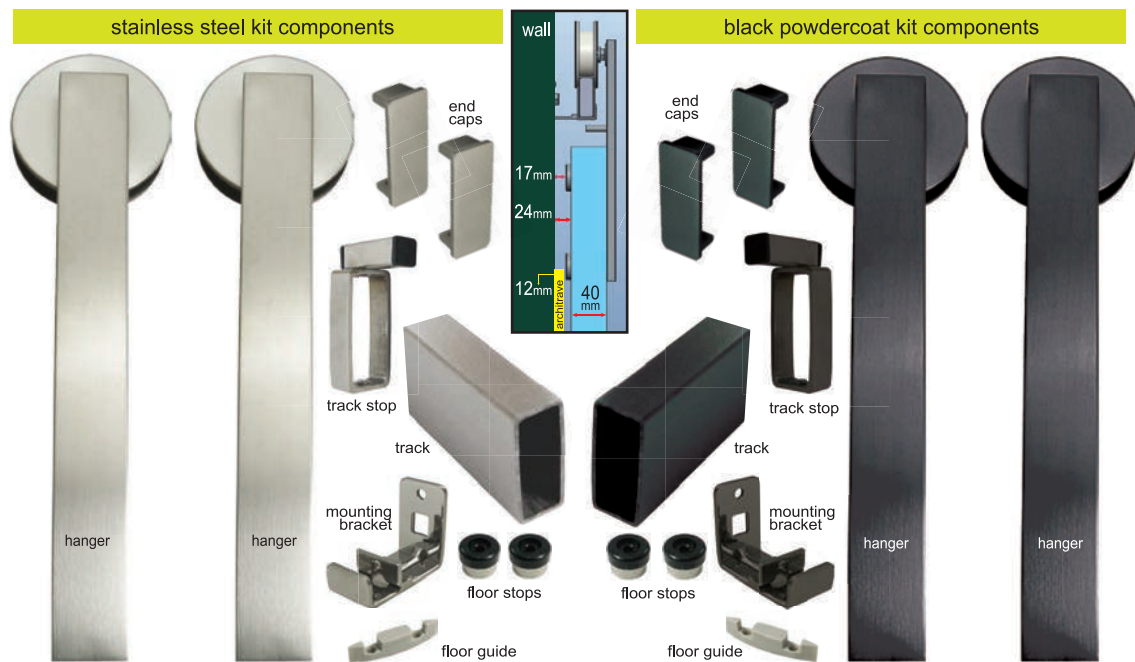
- Mode
- ☒ 7032O
- 7032B

- SINGLE DOOR KITS comprises
 - 2 hangers
 - 2 track stops
 - 1 floor guide
 - 5 x wall spacers
 - 2 x anti jump blocks
 - 1 length of track

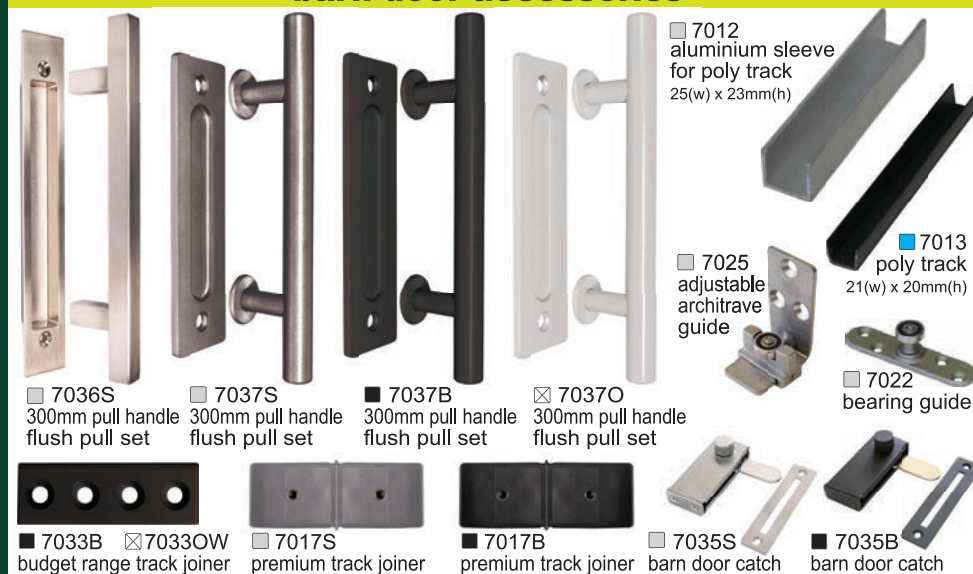
Please note all off white tracks and accessories come with black wheels and fixings

stainless steel kit components

black powdercoat kit components



barn door accessories



- 7036S
- 300mm pull handle flush pull set

- 7037S
- 300mm pull handle flush pull set

- 7037B
- 300mm pull handle flush pull set

- ☒ 7037O
- 300mm pull handle flush pull set

- 7012
- aluminium sleeve for poly track
- 25(w) x 23mm(h)

- 7013
- poly track
- 21(w) x 20mm(h)

- 7025
- adjustable architrave guide

- 7022
- bearing guide

- 7033B
- ☒ 7033OW
- budget range track joiner

- 7017S
- premium track joiner

- 7017B
- premium track joiner

- 7035S
- barn door catch

- 7035B
- barn door catch

